

HERON II LED

Kancelárská stolná LED lampa



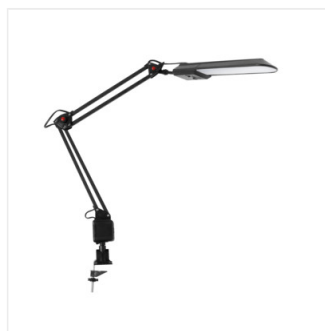
HERON II LED B

[V] 220-240 AC	[Hz] 50	[°] 110	[h] ≥15000	[h] 20000	Ra ≥6v MacAdam	Ra 80
SMD	IP 20	IP 20	IP 20	IP 20	IP 20	IP 20
[°] 360	[°] 180	[m] 1,7	[m] 1,7	[m] 1,7	[m] 1,7	[m] 1,7
EAC	UK CA	UK CA	UK CA	UK CA	UK CA	UK CA



	[W]	[lm]	Tc [K]
HERON II LED B	27602	4,8	čierna
HERON II LED W	27603	4,8	biela

- Materiál korpusu: hliníková zliatina
- Materiál difúzora: plast



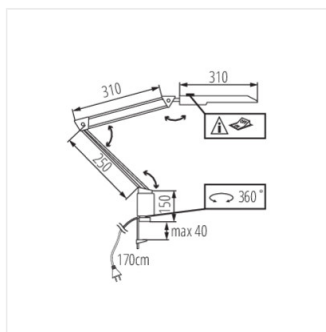
HERON II LED B



HERON II LED W

HERON II LED

Kancelárská stolná LED lampa



HERON II LED