

## FL AGOR LED

### LED reflektor



$[V]$ 220-240 AC	$[Hz]$ 50	$\geq 25000$	$50000$ (h)	elliptipse $\leq 6^\circ$ MacAdam	Ra 80	SMD
		IP 65		$^{\circ}C$ -40÷35		$^{\circ}$ 180
	$[mm^2]$ 1	$1m$		CE	EAC	UK CA



FL AGOR LED 100W NW

			$[lm]$ 	$[lm]$ $\Phi_{use}$ 	$T_c [K]$ 	$^{\circ}$ 		
FL AGOR LED 100W NW	<b>33470</b>	100	12000	10800	4000	100	čierna	E
FL AGOR LED 150W NW	<b>33471</b>	150	18000	15300	4000	100	čierna	E
FL AGOR LED 200W NW	<b>33472</b>	200	24000	20300	4000	100	čierna	E
FL AGOR/A LED 100W NW	<b>33473</b>	100	11000	9500	4000	X45/Y80	čierna	F
FL AGOR/A LED 150W NW	<b>33474</b>	150	16500	12400	4000	X45/Y80	čierna	E
FL AGOR/A LED 200W NW	<b>33475</b>	200	22000	17000	4000	X45/Y80	čierna	E

- 5-ročná záruka podľa podmienok vyhlásenia o záruke, ktoré je dostupné na webovej stránke
- Materiál korpusu: hliníková zliatina
- Materiál ochranného skla: tvrdené sklo

## FL AGOR LED

LED reflektor



FL AGOR LED 100W NW



FL AGOR LED 150W NW



FL AGOR LED 200W NW



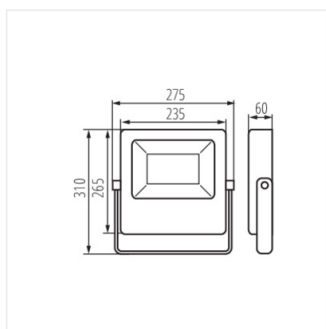
FL AGOR/A LED 100W NW



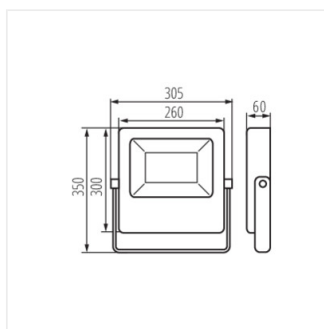
FL AGOR/A LED 150W NW



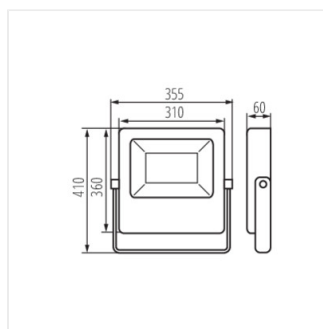
FL AGOR/A LED 200W NW



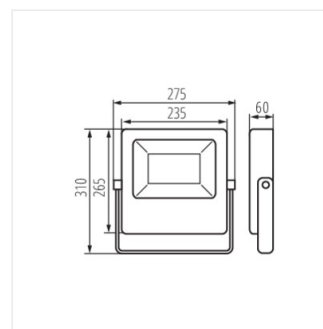
FL AGOR LED 100W NW



FL AGOR LED 150W NW



FL AGOR LED 200W NW

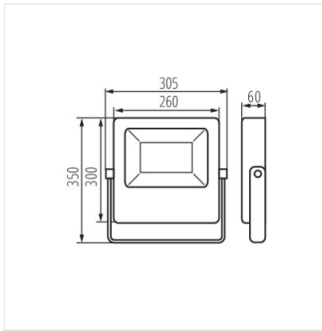


FL AGOR/A LED 100W NW

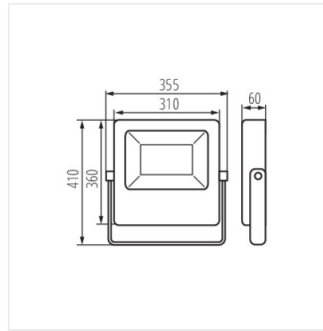
## FL AGOR LED

---

### LED reflektor



FL AGOR/A LED 150W NW



FL AGOR/A LED 200W NW