

## T8 N LED

### Svetelný zdroj LED

up to

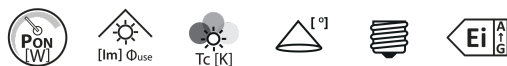
**110**  $\frac{\text{lm}}{\text{W}}$



<b>[V]</b> 220-240 AC	<b>[Hz]</b> 50	T8 LED	SMD	360° Φ <sub>use</sub>	ellipse ≤ 6x MacAdam	Ra 80
≥10000	15000 [h]	Mercury-free	RoHS	ONE SIDE INPUT	-10+40 [°C]	CE
EAC	UK CA					



### T8 N LED 18W-CW



	PON [W]	[lm] Φ <sub>use</sub>	Tc [K]	[°]	G13	Ei	
T8 N LED 18W-CW	<b>31190</b>	18	2000	6500	200	G13	E
T8 N LED 18W-NW	<b>31191</b>	18	2000	4000	200	G13	E
T8 N LED 9W-CW	<b>31193</b>	9	1000	6500	200	G13	E
T8 N LED 9W-NW	<b>31194</b>	9	1000	4000	200	G13	E



T8 N LED 18W-CW



T8 N LED 18W-NW



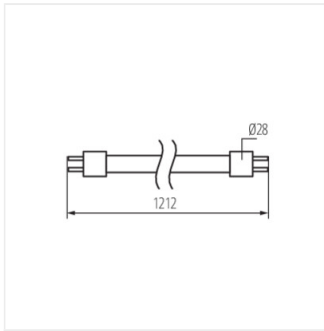
T8 N LED 9W-CW



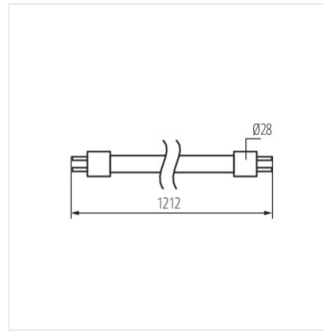
T8 N LED 9W-NW

## T8 N LED

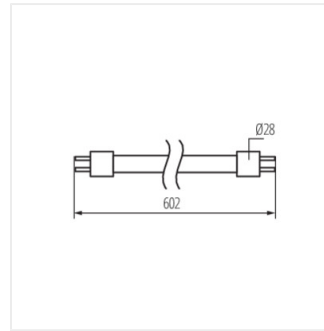
### Svetelný zdroj LED



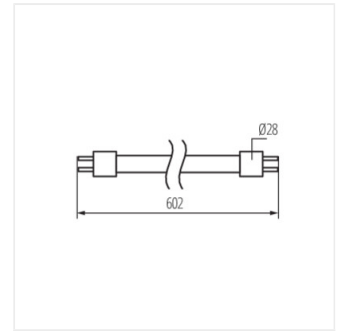
T8 N LED 18W-CW



T8 N LED 18W-NW



T8 N LED 9W-CW



T8 N LED 9W-NW