

GU10 N LED

Svetelný zdroj LED



$[V]$ 220-240 AC	$[Hz]$ 50	 PAR16	 SMD	 120° Φ_{use}	 ellipse $\leq 6x$ Macdam	 Ra 80
 ≥ 15000	 15000					



GU10 N LED 4W-CW



	PON [W]	[W]	[lm]	[lm] Φuse	Tc [K]	[°]		
GU10 N LED 4W-CW	31210	4	26	340	275	5300	120	GU10 G
GU10 N LED 6W-CW	31213	6	34	485	400	5300	120	GU10 G
GU10 N LED 6W-NW	31214	6	34	485	400	4000	120	GU10 G
GU10 N LED 6W-WW	31215	6	34	485	400	3000	120	GU10 G
GU10 N LED 8W-CW	31216	8	44	660	530	5300	120	GU10 G
GU10 N LED 8W-WW	31217	8	44	660	530	3000	120	GU10 G

- Materiál difúzora: plast

GU10 N LED

Svetelný zdroj LED



GU10 N LED 4W-CW



GU10 N LED 6W-CW



GU10 N LED 6W-NW



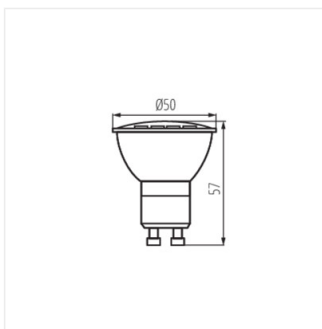
GU10 N LED 6W-WW



GU10 N LED 8W-CW



GU10 N LED 8W-WW



GU10 N LED