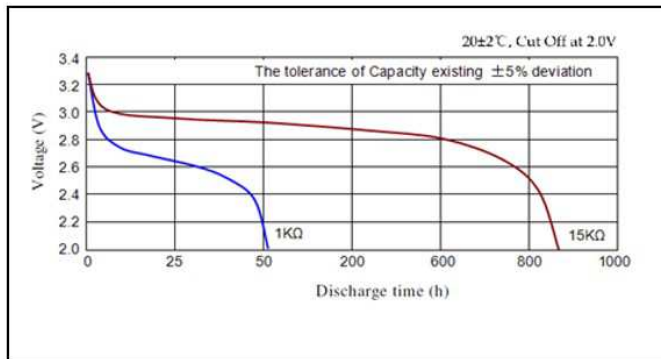


Description : Flat Lithium Battery
Chemical system : Lithium Manganese
Nominal voltage : 3 Volts
Nominal capacity : 165mAh
Dimensions : Ø20mm x 2.5mm
Shelf life : 10 years at room temperature
Average weight : 2.5 grams
Operation temperature : -20°C ~60°C
Storage temperature : 20 ± 2°C

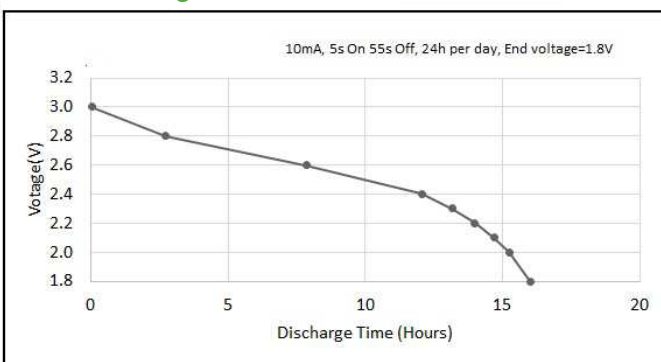
Cross References:

IEC	JIS	Panasonic	Varta
CR2025	CR2025	CR2025	CR2025

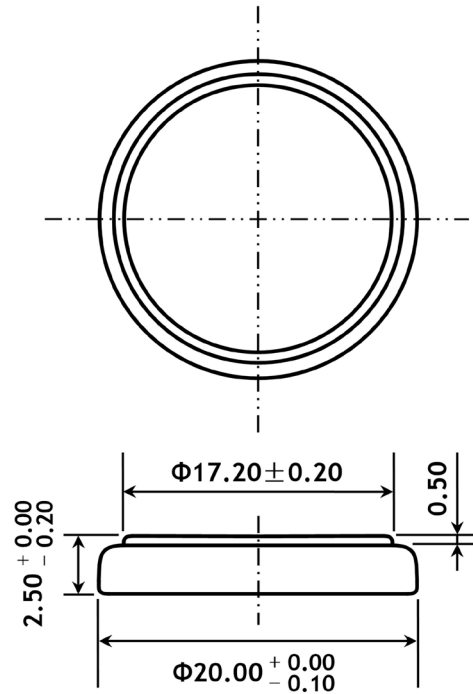
Discharge Characteristics



Pulse discharge characteristics



Model No.: **CR2025**



Dimension Drawing

The information (subject to change without prior notice) contained in this document is for reference only and should not be used as a basis for product guarantee or warranty. For applications other than those described here, please consult your nearest GP Sales and Marketing Office or Distributors.