

## GU10 LED

Svetelný zdroj LED



[V] 220-240 AC	[Hz] 50	PAR16	SMD	120° Φ <sub>use</sub>	ellipse ≤ 6x MacAdam	Ra 80
≥15000	15000 <sup>[h]</sup>	Mercury-free	RoHS	CE	EAC	UK CA
↓						

### GU10 4W-WW LED

	POW [W]	Light bulb icon	[lm]	[lm] Φ <sub>use</sub>	T <sub>c</sub> [K]	[°]	Light bulb icon	Ei	A/G
GU10 4W-WW LED <b>31230</b>	4	35	380	320	3000	100	GU10	G	
GU10 4W-NW LED <b>31231</b>	4	35	380	320	4000	100	GU10	G	
GU10 4W-CW LED <b>31232</b>	4	35	380	320	5000	100	GU10	G	
GU10 6W-WW LED <b>31233</b>	6	45	520	430	3000	100	GU10	G	
GU10 6W-NW LED <b>31234</b>	6	45	520	430	4000	100	GU10	G	
GU10 6W-CW LED <b>31235</b>	6	45	520	430	5000	100	GU10	G	
GU10 8W-WW LED <b>31236</b>	8	57	690	560	3000	100	GU10	G	
GU10 8W-CW LED <b>31238</b>	8	57	690	560	5000	100	GU10	G	

- Materiál difúzora: plast



## GU10 LED

### Svetelný zdroj LED



GU10 4W-WW LED



GU10 4W-NW LED



GU10 4W-CW LED



GU10 6W-WW LED



GU10 6W-NW LED



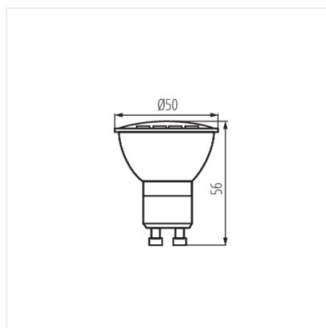
GU10 6W-CW LED



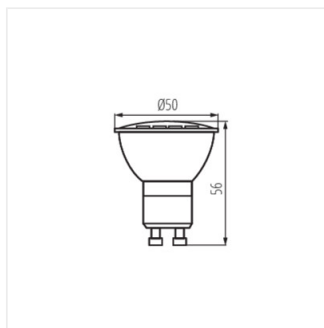
GU10 8W-WW LED



GU10 8W-CW LED



GU10 4W LED



GU10 6W LED



GU10 8W LED