

GU10 N LED

Svetelný zdroj LED



[V] 220-240 AC	[Hz] 50	PAR16	SMD	120° Φ _{use}	ellipse ≤ 6x Macadam	Ra 80
≥15000	[h] 15000	Hg				



GU10 N LED 4W-CW

		[W]	[lm]	[lm] Φ _{use}	Tc [K]	[°]			
GU10 N LED 4W-CW	31210	4	26	340	275	5300	120	GU10	G
GU10 N LED 4W-NW	31211	4	26	340	275	4000	120	GU10	G
GU10 N LED 4W-WW	31212	4	26	340	275	3000	120	GU10	G
GU10 N LED 6W-CW	31213	6	34	485	400	5300	120	GU10	G
GU10 N LED 6W-NW	31214	6	34	485	400	4000	120	GU10	G
GU10 N LED 6W-WW	31215	6	34	485	400	3000	120	GU10	G
GU10 N LED 8W-CW	31216	8	44	660	530	5300	120	GU10	G
GU10 N LED 8W-WW	31217	8	44	660	530	3000	120	GU10	G

- Materiál difúzora: plast

GU10 N LED

Svetelný zdroj LED



GU10 N LED 4W-CW



GU10 N LED 4W-NW



GU10 N LED 4W-WW



GU10 N LED 6W-CW



GU10 N LED 6W-NW



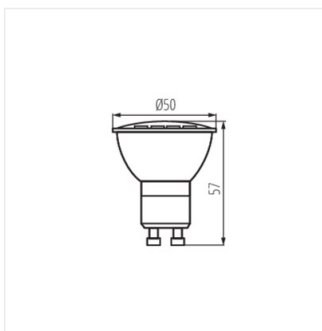
GU10 N LED 6W-WW



GU10 N LED 8W-CW



GU10 N LED 8W-WW



GU10 N LED