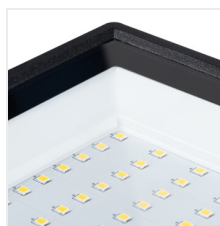


# GRUN NV

## LED reflektor



 220-240 AC	 50	 120° Φuse	 110	 ≥30000	 25000	 ellipse ≤ 6x MacAdam
 70	 SMD				 -15÷35	
 130	 0,5m					



### GRUN NV LED-10-B

				<b>IP</b>		<b>SENSOR</b>
GRUN NV LED-10-B	<b>31390</b>	10	800	4000	65	čierna
GRUN NV LED-20-B	<b>31391</b>	20	1700	4000	65	čierna
GRUN NV LED-30-B	<b>31392</b>	30	2650	4000	65	čierna
GRUN NV LED-50-B	<b>31393</b>	50	4500	4000	65	čierna
GRUN NV LED-100-B	<b>31394</b>	100	9500	4000	65	čierna
GRUN NV LED-150-B	<b>31395</b>	150	14250	4000	65	čierna
GRUN NV LED-200-B	<b>31396</b>	200	19000	4000	65	čierna
GRUN NV LED-10-B-SE	<b>31397</b>	10	800	4000	44	čierna PIR
GRUN NV LED-20-B-SE	<b>31398</b>	20	1700	4000	44	čierna PIR
GRUN NV LED-30-B-SE	<b>31399</b>	30	2650	4000	44	čierna PIR
GRUN NV LED-50-B-SE	<b>31400</b>	50	4500	4000	44	čierna PIR

- Materiál korpusu: hliníková zliatina
- Materiál difúzora: tvrdené sklo

# GRUN NV

## LED reflektor



GRUN NV LED-10-B



GRUN NV LED-20-B



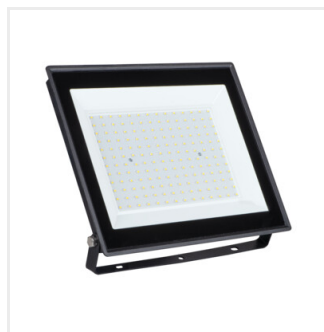
GRUN NV LED-30-B



GRUN NV LED-50-B



GRUN NV LED-100-B



GRUN NV LED-150-B



GRUN NV LED-200-B



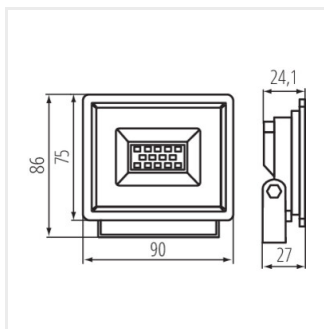
GRUN NV LED-10-B-SE



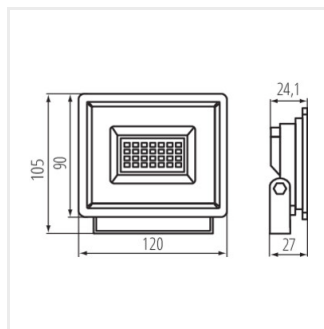
GRUN NV LED-30-B-SE



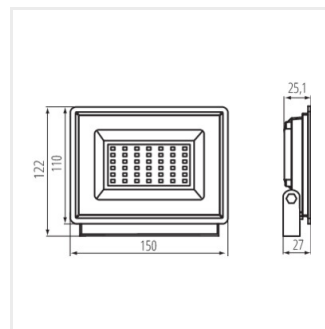
GRUN NV LED-50-B-SE



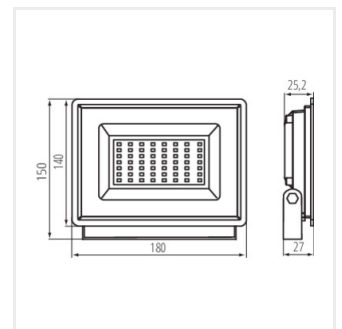
GRUN NV LED-10-B



GRUN NV LED-20-B



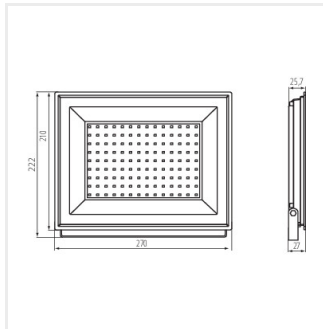
GRUN NV LED-30-B



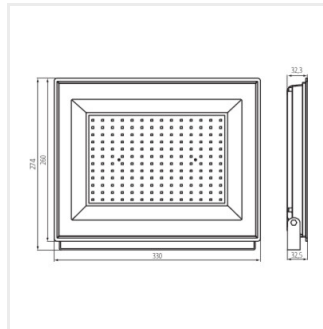
GRUN NV LED-50-B

# GRUN NV

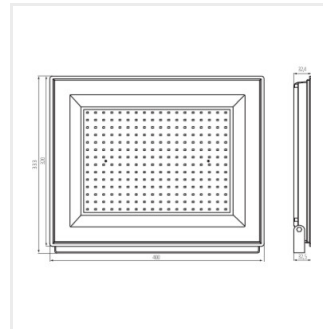
## LED reflektor



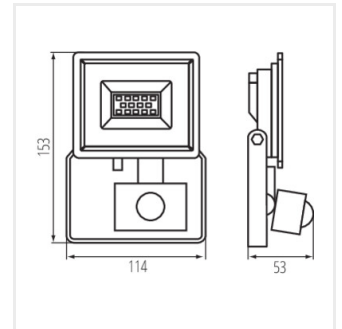
GRUN NV LED-100-B



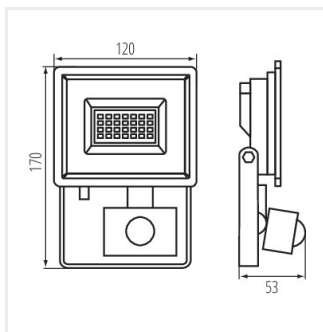
GRUN NV LED-150-B



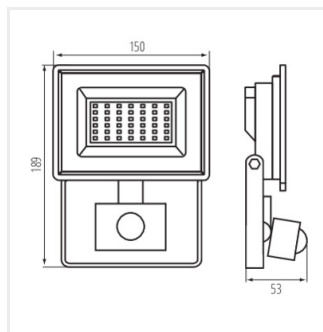
GRUN NV LED-200-B



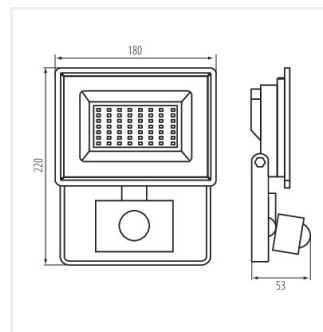
GRUN NV LED-10-B-SE



GRUN NV LED-20-B-SE



GRUN NV LED-30-B-SE



GRUN NV LED-50-B-SE